

CHAP ECHO Learning Collaborative

PACCB Update
Sue Steward, NPAIHB
December 2, 2020



NPAIHB

Indian Leadership for Indian Health

PACCB UPDATE



*Northwest Portland Area
Indian Health Board*
Indian Leadership for Indian Health

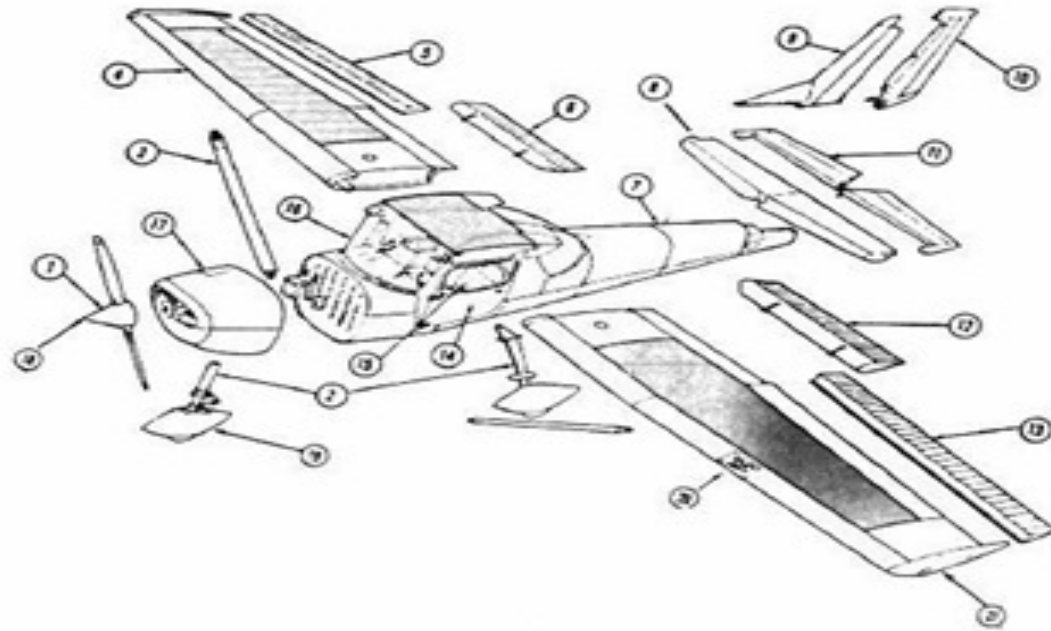


Motivation



*Northwest Portland Area
Indian Health Board*
Indian Leadership for Indian Health

Implementation



Authorization

